

Masosine SPS process pumps

SPS PUMPS

Masosine Process Pumps

FEATURES AND BENEFITS

- Sanitary and industrial pump, with flow up to 99,000 l/hr at pressures up to 15 bar (217psi)
- Viscous handling from 1 cP to 8M cP without modification to the pump
- Consistent flow with high suction capability up to 0.85 bar
- Flexible configuration of housing, nozzle type, size orientation, drive and baseplate
- Hygienic, cleaning-in-place (CIP) and sterilisation-in-place (SIP) capability. FDA and EC 1935/2004 compliance.
- Operating temperatures up to 180C (356F)
- 20-year guarantee on front cover and pump housing



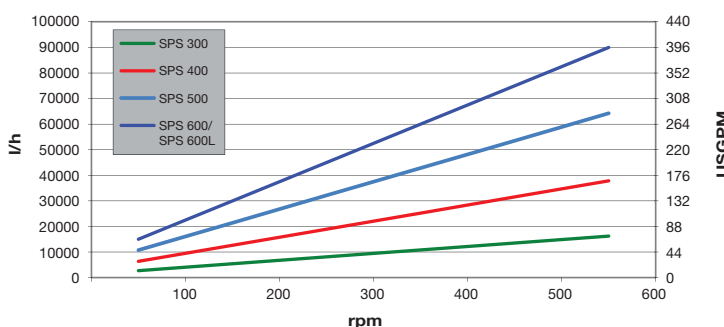
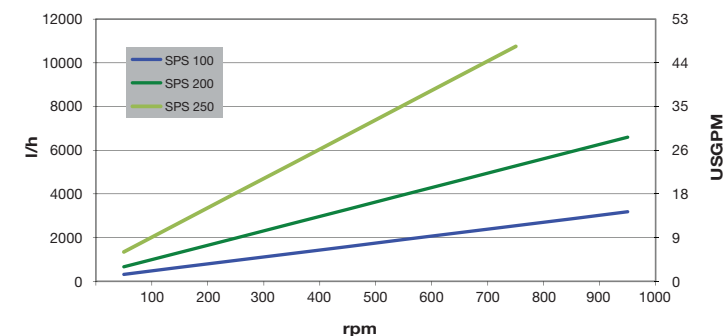
Watson-Marlow...Innovation in Full Flow



TECHNICAL DATA

Technical Data															
Model	Maximum particle size		Volume per revolution		Speed	Maximum flow		Maximum pressure		Maximum temperature		Shaft diameter		Shaft height	
	mm	inch	litre	US gallons	rpm	l/h	US gal/min	bar	psi	C	F	mm	inch	mm	inch
SPS 100	10	0.39	0.08	0.021	1,000	4,800	21.1	10	145	180	356	18	0.71	72	2.83
SPS 200	20	0.79	0.13	0.034	1,000	7,800	34.2	10	145	180	356	28	1.10	95	3.74
SPS 250	22	0.87	0.24	0.063	800	11,520	50.5	15	217	180	356	28	0.98	146	5.75
SPS 300	30	1.18	0.50	0.132	600	18,000	78.9	15	217	180	356	45	1.77	150	5.91
SPS 400	48	1.89	1.16	0.305	600	41,760	183.2	15	217	180	356	50	1.97	195	7.68
SPS 500	50	1.97	1.92	0.505	600	69,120	303.2	15	217	180	356	50	1.97	235	9.25
SPS 600	60	2.36	2.75	0.724	600	99,000	434.2	15	217	180	356	65	2.56	235	9.25
SPS 600L	60	2.36	2.75	0.724	600	99,000	434.2	10	145	180	356	65	2.56	235	9.25

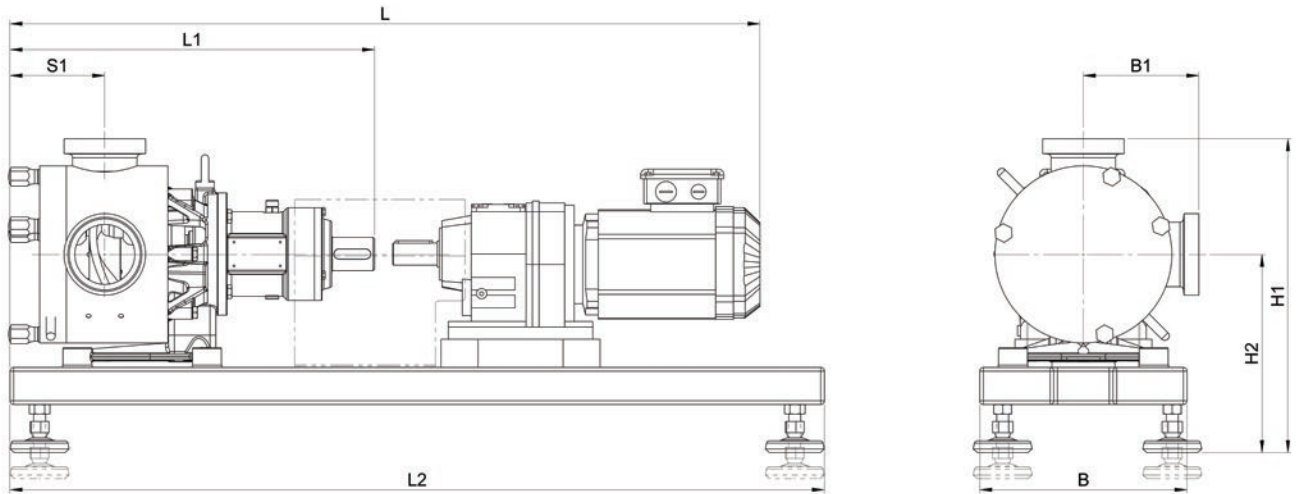
PERFORMANCE



Performance curves

This performance curve shows the theoretical flow. It is applicable when the product has a Newtonian viscosity of about 2,000 mPas. Above this the MasoSine pump works without slip.

DIMENSIONS



Pump size																								
Model	L				L1		L2		S1		B		B1				H1				H2			
	min.		max.								min.		max.		min.	max.			min.	max.				
	mm	inch	mm	inch	mm	inch	mm	inch	mm	inch	mm	inch	mm	inch	mm	inch	mm	inch	mm	inch	mm	inch	mm	inch
SPS 100	735	28.9	860	33.9	292	11.5	800	31.5	89	3.5	210	8.3	97	3.8	121	4.8	300	11.8	330	13.0	202	8.0	232	9.1
SPS 200	740	29.1	960	37.8	345	13.6	800	31.5	95	3.7	210	8.3	106	4.2	137	5.4	314	12.4	344	13.5	208	8.2	238	9.4
SPS 250	872	34.3	1091	43	428	16.9	800	31.5	114	4.5	210	8.3	126	4.96	156	6.14	375	14.8	445	17.5	250	9.84	290	11.4
SPS 300	985	38.8	1382	54.4	492	19.4	1100	43.3	128	5.0	280	11.0	156	6.1	182	7.2	426	16.8	490	19.3	270	10.6	310	12.2
SPS 400	1235	48.6	1805	71.1	619	24.4	1300	51.2	169	6.7	380	15.0	192	7.6	208	8.2	505	19.9	567	22.3	318	12.5	358	14.1
SPS 500	1300	51.2	1640	64.6	659	25.9	1300	51.2	131	5.16	380	15	212	8.35	235	9.25	560	22	623	24.5	348	13.7	388	15.3
SPS 600	1755	69.1	2200	86.6	771	30.4	1400	55.1	319	12.6	400	15.8	274	10.8	274	10.8	630	24.8	700	27.6	353	13.9	433	17.1
SPS 600L	1302	51.3	2100	82.7	686	27.0	1400	55.1	234	9.2	400	15.8	270	10.6	274	10.8	675	26.2	757	29.8	390	13.4	487	19.2

OPTIONS AND ACCESSORIES

- A heating and cooling jacketing system available to maintain the duty fluid temperature
- Interchangeable materials to suit the duty fluid – alternative materials for liners, front supports, O-rings and sealing systems
- Static and dynamic flush systems available

All flow rates shown were obtained pumping water at 20C (68F) with zero suction and delivery heads.
 Disclaimer: The information contained in this document is believed to be correct but Watson-Marlow Limited accepts no liability for any errors it contains and reserves the right to alter specifications without notice.
 Watson-Marlow, MasoSine, Qdos, ReNu, LoadSure, Bioprene, Pumpsil and Marprene are trademarks of Watson-Marlow Limited. STA-PURE PFL® and STA-PURE PCS® are registered trademarks of W.L Gore & Associates Inc. Please state the product code when ordering pumps and tubing.