

Bredel CIP 40 and Bredel CIP 50 clean-in-place hose pumps

CIP SERIES

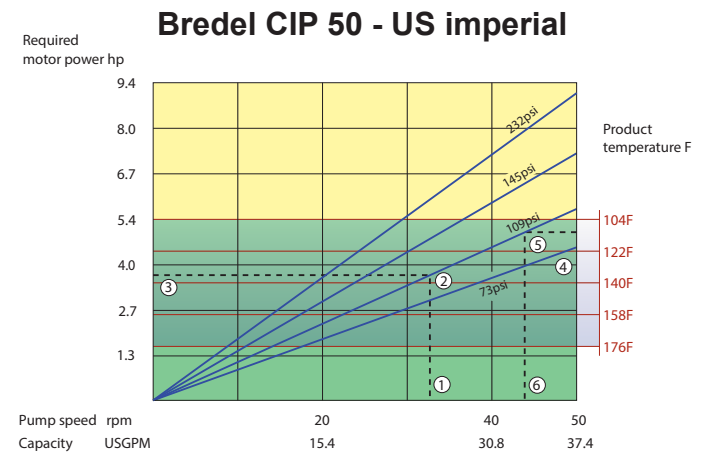
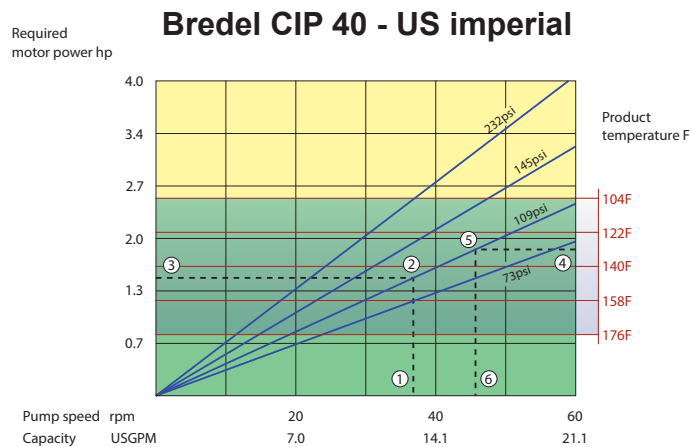
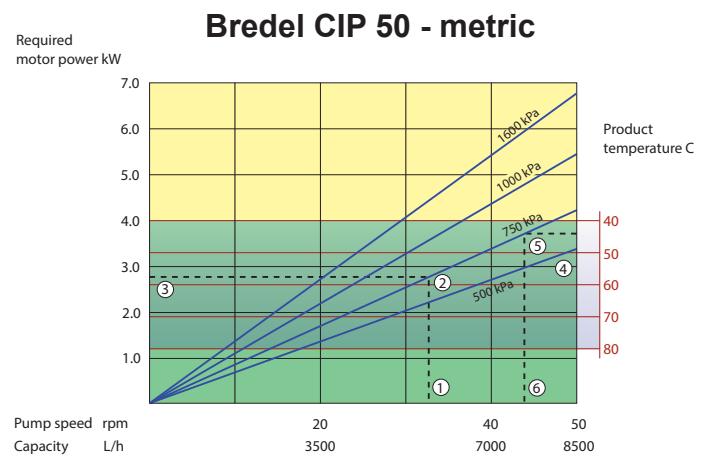
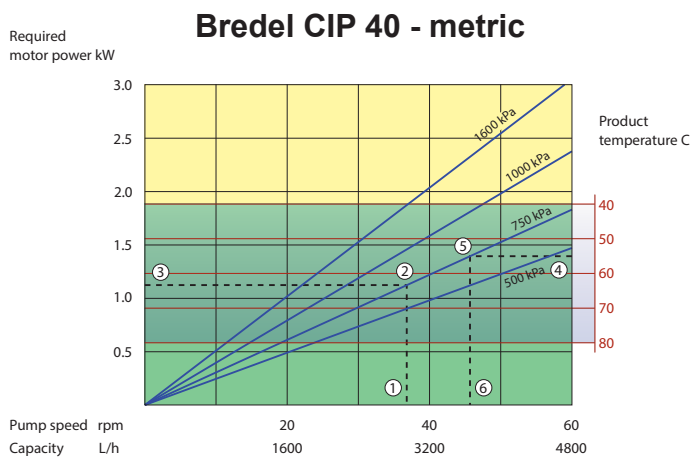
Bredel Hose Pumps

FEATURES AND BENEFITS

- Flow rates from 80 L/hr (21.1 USGPM) to 8500 L/hr (37.4 USGPM)
- Discharge process pressures up to 16 bar (232psi)
- Cam actuated retractable shoes for ultimate CIP ability through an unobstructed fluid path
- Electrical, pneumatic or manual actuator options
- Easy maintenance, low cost, minimal downtime
- EHEDG certified. NSF® registered food grade lubricant



PERFORMANCE



- Continuous Duty
- Intermittent Duty*

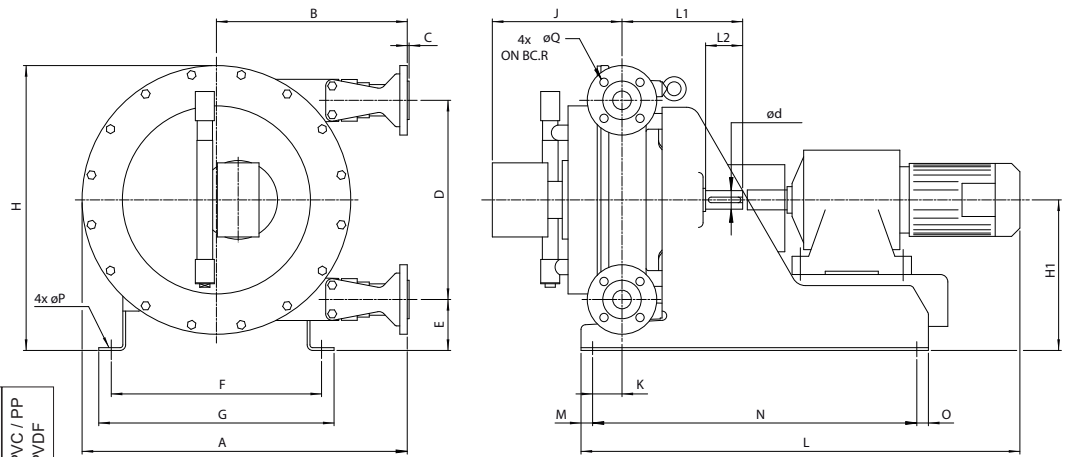
* Maximum 2 hours operation followed by minimum 1 hour stop

1. Flow required indicates pump speed
2. Calculated discharge pressure
3. Net motor power required
4. Product temperature
5. Calculated discharge pressure
6. Maximum recommended pump speed

Note: The area of continuous operation diminishes with increased product temperatures.

For product temperatures >40C (104F), the area of continuous operation reduces to the corresponding red temperature line.

DIMENSIONS



* Depends on motor size and type

ANSI 316
PVC / PP
PVDF

Type	A	B	C	C	D	Ød	E	F	G	H	H1	Jmax	K	L	L1	L2	M	N	O	Q	R
Bredel CIP 40 (mm)	702	412	2.5	10	430	40	110	454	508	615	325	414	64	*	260	80	25	700	25	18	110
Bredel CIP 40 (inches)	27.6	16.2	0.1	0.4	16.9	40mm	4.3	17.9	20.0	24.2	12.8	16.3	2.5	*	10.2	3.1	1.0	27.6	1.0	0.7	4.3
Bredel CIP 50 (mm)	835	475	3	10	554	50	123	444	496	760	400	433	78	*	325	100	25	870	25	18	125
Bredel CIP 50 (inches)	32.9	18.7	0.1	0.4	21.8	50mm	4.8	17.5	19.5	29.9	15.7	17.0	3.1	*	12.8	3.6	1.0	34.3	1.0	0.7	4.9

TECHNICAL SPECIFICATION

	Bredel CIP 40	Bredel CIP 50
Operating speeds	max. 7.5 bar (108.8psi) : up to 60 rpm max. 16 bar (232psi) : intermittent up to 60 rpm	max. 7.5 bar (108.8psi) : up to 50 rpm max. 16 bar (232psi) : intermittent up to 50 rpm
Hose lubricant required	10 litres (2.6 USG)	20 litres (5.3 USG)
Pumphead weight	175kg (385.8lbs)	265kg (584.2lbs)
Capacity	1.33 L/rev (0.351 G/rev)	2.92 L/rev (0.771 G/rev)
Flange / insert connector options	40mm DIN, 1.5" 150# ANSI, or 40mm JIS	50mm DIN, 2" 150# ANSI, or 50mm JIS
Flange materials:	Galvanised steel or AISI 316 SS	
Insert materials:	AISI 316 SS, PVC, PP, or PVDF	
Sanitary connector options (in AISI 316SS)	DIN 11851, DIN 11864, Tri-clamp, SMS, IDF, or RJT	
Hose materials	F-NBR, NBR, NBR for food, Bioprene®, NR, NR Endurance EPDM and CSM	
Ambient temperature range**	-20C (-4F) up to 45C (113F)	

**Allowable ambient temperature is based on pump capabilities and may be further limited by gearbox ambient capabilities

Pump element	Temperature range*	Pressure	Suitable for food contact
F-NBR	-10C (14F) to 80C (176F)	16 bar (232psi)	YES
NBR	-10C (14F) to 80C (176F)	16 bar (232psi)	YES
Bioprene	-20C (-4F) to 60C (140F)	3.5 bar (51psi)	YES
NR	-20C (-4F) to 80C (176F)	16 bar (232psi)	NO
NR Endurance	-20C (-4F) to 80C (176F)	16 bar (232psi)	NO
EPDM	-10C (14F) to 90C (164F)	16 bar (232psi)	NO
CSM	-10C (14F) to 80C (176F)	16 bar (232psi)	NO

*Please consult your Bredel representative for lower or higher temperature operation.

MATERIALS OF CONSTRUCTION

	Bredel CIP 40 and Bredel CIP 50
Pumphead	Cast iron
Rotor	Cast iron
Cover	Cast iron
Brackets	AISI 316
Pressing shoes	Aluminium
Support frame	Galvanised steel or stainless steel
Fasteners	AISI 316
Hose clamps	AISI 316
Shaft	Alloy steel
Seals	NBR

ORDERING CODES

For ordering codes and information please contact your Bredel representative.

The information contained in this document is believed to be correct at the time of publication, but Watson-Marlow Bredel BV accepts no liability for any error it contains, and reserves the right to alter specifications without prior notice. All mentioned values in this document are values under controlled circumstances at our test bed. Actual flow rates achieved may vary because of changes in temperature, viscosity, inlet and discharge pressures and/or system configuration. APEX, DuCoNite®, Bioprene® and Bredel are registered trademarks.

Bredel
Hose Pumps

wmpg.co.uk
+44 (0)1326 370 370
info@wmpg.co.uk