

APEX28 and APEX35 hose pumps

APEX SERIES

Bredel Hose Pumps

FEATURES AND BENEFITS

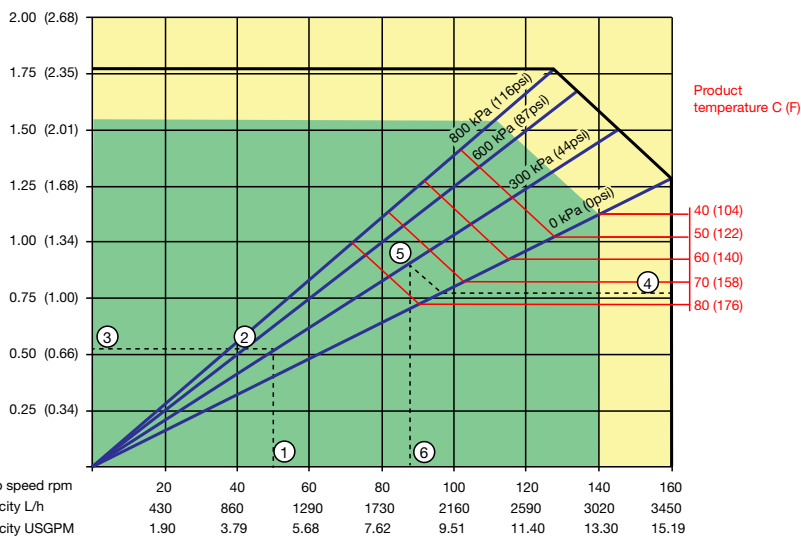
- Seal less, valveless pumping principle for reliable, low maintenance metering, dosing and transfer
- Flow rates up to 6,200 L/h (27.3USGPM) and pressures up to 8bar (115psi)
- Dry running and self-priming, with up to 9.5m (30ft) suction lift capability
- Long life hose element provides significantly reduced maintenance
- Compact direct coupled design to maximise gearbox life
- Simple hose change decreases cost of ownership, downtime and need for parts inventory stocking



PERFORMANCE

Required motor power
kW (hp)

APEX28



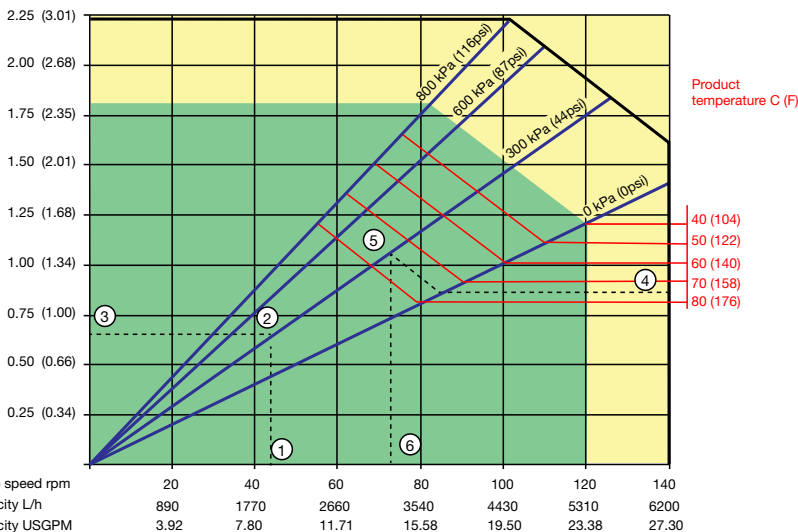
- Continuous Duty
- Intermittent Duty*

*Maximum 3 hours operation followed by minimum 1 hour stop

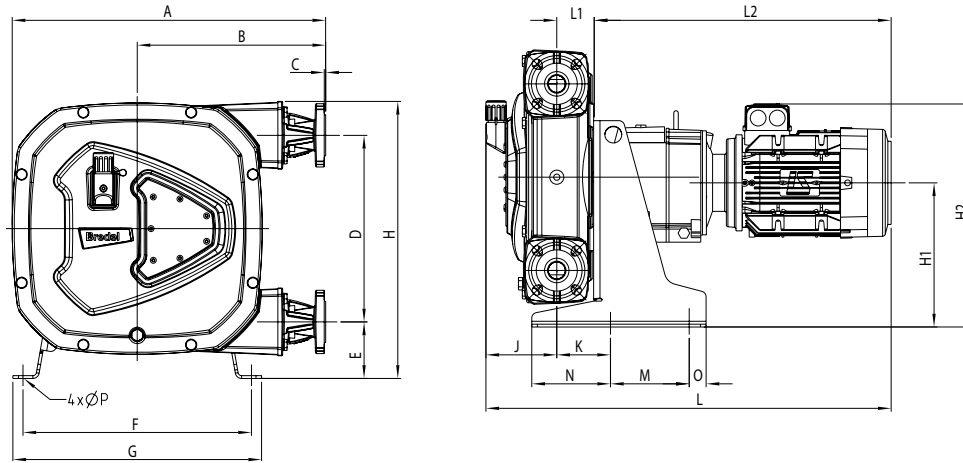
1. Flow required indicates pump speed
2. Calculated discharge pressure
3. Net motor power required
4. Product temperature
5. Calculated discharge pressure
6. Maximum recommended pump speed

Required motor power
kW (hp)

APEX35



DIMENSIONS



	A	B	C	D	E	F	G	H	H1	H2max	J	K	Lmax	L1	L2max	M	N	O	ØP
APEX28 (mm)	481	297	2.5	264	98	338	370	415	221	359	124	82.5	714	63	528	152	121	27	12
APEX28 (inch)	18.9	11.7	0.1	10.4	3.9	13.3	14.6	16.3	8.7	14.1	4.9	3.2	28.1	2.5	20.8	6.0	4.8	1.1	0.5
APEX35 (mm)	557	335	2.5	330	100	406	442	490	255	373	126	95	734	66	528	140	140	30	12
APEX35 (inch)	21.9	13.2	0.1	13.0	3.9	16.0	17.4	19.3	10.0	14.7	5.0	3.7	28.9	2.6	20.8	5.5	5.5	1.2	0.5

Connector sizes	ASME B16.5, 150# (ANSI)	EN 1092-1, PN40 (DIN)	JIS B2220, 10/16/20 kgf/cm ²
APEX28	DN 1"	DN 25	25mm
APEX35	DN 1.5"	DN 32	32mm

TECHNICAL SPECIFICATION

	APEX28	APEX35
Flow range	up to 3,450 L/h (15.2 USGPM)	up to 6,200 L/h (27.3 USGPM)
Continuous operating speed	140rpm	120rpm
Intermittent operating speed	160rpm	140rpm
Capacity	0.36 L/rev (0.095 G/rev)	0.74 L/rev (0.195 G/rev)
Minimum starting torque	150Nm (1330 lbf-in)	230Nm (2040 lbf-in)
Hose lubricant required	2.0L (0.53 USG)	4.0L (1.05 USG)
Pumphead weight	51kg (112lbs)	75kg (165lbs)
Common features		
Maximum discharge pressure	800 kPa [8bar] (115psi)	
Suction pressure	0.05bar abs (0.73psia)	
Max. inlet pressure	2.5bar abs (37psia)	
Product temperature range	-10C up to 80C (14F up to 176F)	
Ambient temperature range	-20C up to 40C (-4F up to 104F)	

MATERIALS OF CONSTRUCTION

	APEX28/35
Pump housing	Cast iron
Pump rotor with integral shoes	Cast aluminium
Cover	Cast aluminium
Brackets	Cast iron or AISI 316
Support frame	Galvanized steel or AISI 316
Fasteners	Galvanized steel or AISI 316
Pump shaft and coupling bush	Steel
Cover seal	NBR

Options	APEX28/35
Available hose materials	NR, NBR, EPDM, NBR for food
Available rotors	Low pressure (0-4bar / 0-58psi) Medium pressure (0-8bar / 0-115psi)
Available port configurations	Ports left (position 1), right (position 2), up (position 3). Standard configuration position 2
ATEX 95 configuration	Pump may be configured to meet the requirements according to Group II appliances, Category 2 GD bck T5
High level float switch	Max. 2A, 230V AC/DC, max. 40VA ATEX: max. 50 mA, max. 28V AC/DC
Integrated FI for speed control	Factory programmable from 12 - 80Hz
Revolution counter	For maintenance and /or metering
Connections	
Flange connections	ASME (ANSI) or EN (DIN) or JIS
Inserts	AISI 316, PVC, PP, PVDF
Sanitary connections (AISI 316)	DIN 11851, Triclamp, IDF, RJT, SMS

The information contained in this document is believed to be correct at the time of publication, but Watson-Marlow Bredel BV accepts no liability for any error it contains, and reserves the right to alter specifications without prior notice. All mentioned values in this document are values under controlled circumstances at our test bed. Actual flow rates achieved may vary because of changes in temperature, viscosity, inlet and discharge pressures and/or system configuration. APEX, DuCoNite®, Bioprene® and Bredel are registered trademarks.

Bredel
Hose Pumps

wmftg.com
+44 (0)1326 370 370
info@wmftg.com