

# BioPure Viton® gaskets

synthetic rubber and fluoropolymer elastomer

## FEATURES AND BENEFITS

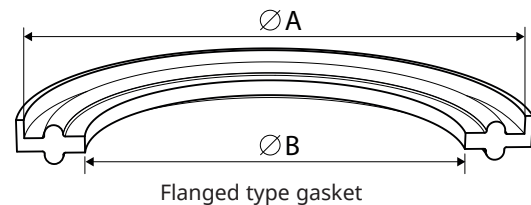
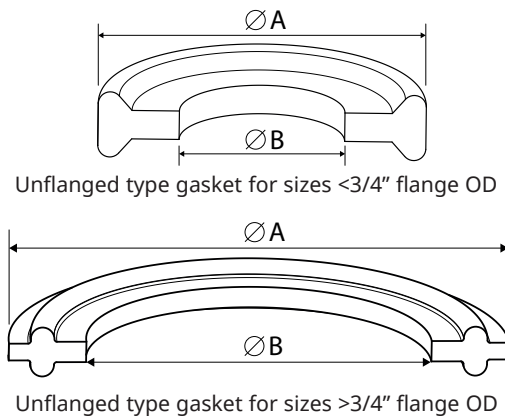
- Improved heat, acid and chemical resistance
- Achieves a smooth bore, contamination free fluid path under clamping compression
- Manufactured in accordance with ASME-BPE standards
- USP Class VI compliant and ADCF
- Compliant with FDA regulations CFR 21 177.2600
- Full material lot traceability



## TECHNICAL DATA

Specifications	
Temperature resistance	-23C to 204C (-10F to 400F continuous)

## ORDER INFORMATION



### BioPure Viton Unflanged Gasket

Part number	Size inch	O.D (ØA)	I.D (ØB)	Quantity
42MPSFY-050-25	1/2	0.85 (21.6)	0.43 (10.9)	25
42MPSFY-075-25	3/4	0.85 (21.6)	0.63 (16.0)	25
40MPSFY-100-25	1	1.98 (50.3)	0.90 (22.9)	25
40MPSFY-150-25	1 1/2	1.98 (50.3)	1.40 (35.6)	25
40MPSFY-200-25	2	2.52 (64.0)	1.90 (48.3)	25
40MPSFY-250-25	2 1/2	3.05 (77.5)	2.40 (61.0)	25
40MPSFY-300-25	3	3.58 (90.9)	2.90 (73.7)	25
40MPSFY-400-25	4	4.68 (118.9)	3.87 (98.3)	25
40MOSFY-600-25	6	6.51 (165.4)	5.82 (147.8)	25

### BioPure Viton Flanged Gaskets

Part number	Size inch	O.D (ØA)	I.D (ØB)	Quantity
40MPFSFY-100-25	1	1.98 (50.3)	0.91 (23.1)	25
40MPFSFY-150-25	1 1/2	1.98 (50.3)	1.41 (35.8)	25
40MPFSFY-200-25	2	2.52 (64.0)	1.91 (48.5)	25
40MPFSFY-250-25	2 1/2	3.05 (77.5)	2.41 (61.2)	25
40MPFSFY-300-25	3	3.58 (90.9)	2.91 (73.9)	25
40MPFSFY-400-25	4	4.68 (118.9)	3.88 (98.5)	25
40MOSFY-600-25	6	6.51 (165.4)	5.83 (148.1)	25

Disclaimer: The information contained in this document is believed to be correct but Watson-Marlow Limited accepts no liability for any errors it contains and reserves the right to alter specifications without notice. It is the users responsibility to ensure product suitability for use within their application. Watson-Marlow and pureu are registered trademarks of Watson-Marlow Limited. Bio Y, BioClamp, BioBarb, FlatBioEndCap, BioEndCap, BioValve and BioTube applicator are Trademarks of BioPure Technology Limited. Tri-Clamp is a registered trademark of Alfa Laval Corporate AB. Q-Clamp is used under licence. Viton is a registered trademark of The Chemours Company.



wmftg.com  
info@wmftg.com  
+44 (0) 2392 499000