

FEATURES AND BENEFITS

- Patented single-handed and tool free sanitary Tri-Clamp®
- Compatible with a wide range of geometries
- Ratchet position identification can aid junction validation
- Can be fitted with unique Q-Clamp™ tamper evident identification technology
- Sleek, lightweight design to maximise operator comfort—eliminates any potential of damage to bags or gloves



COMPLIANCE

Production facilities:

- Components are manufactured and packed within an ISO 14644 Class 7 cleanroom
- The quality management systems of the production facilities are certified to ISO9001 and ISO14001

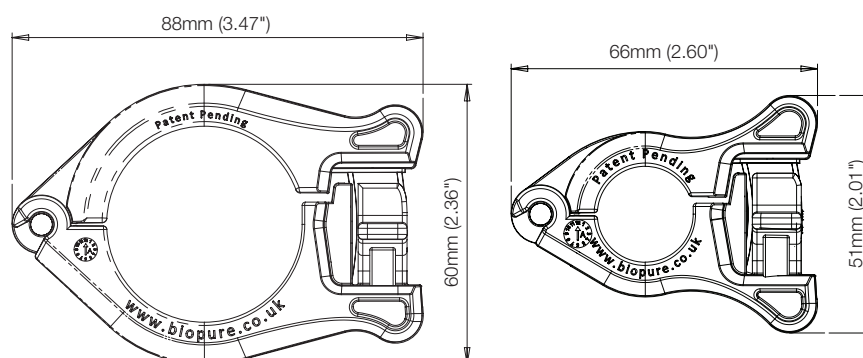
Post sterilised product are tested to a range of current USP, EP and FDA standards. These include:

- USP <88> and ISO 10993 Parts 6, 10 and 11 *In Vivo* for Biological Reactivity
- USP <87> and ISO 10993 Part 5 for *In Vitro* Cytotoxicity
- Extractables studies have been performed using a single solvent approach

TECHNICAL DATA

Maximum operating pressure	7bar (101psi)
Raw material	Reinforced Nylon 66
Fluid temperature range	2C to 40C (35F to 104F)
Environment temperature range	-4C to 40C (25F to 104F)
Autoclave	135C (275F) for 30 minutes, repeatable 3 cycles.
Gamma irradiation	Max 50kGy Cumulative
Vaporised Hydrogen Peroxide (VHP) Sterilisation	Compatible
Shelf life	3 Years
Compatibility	ISO, British and ASME Flanges

DIMENSIONS



SECURITY

• Unique tamper evident identification technology

- Can be applied pre or post clamp assembly
- Universal application across multiple clamp sizes
- Tool free application and removal
- LOT traceable
- Available in eight colours blue, grey, orange, purple, green, red, yellow and clear



OPERATING INSTRUCTIONS

1. Once a connection using Q-Clamp has been made, you can apply a tamper evident cover as required.



2. Your connection is now secure and the Q-Clamp cannot be opened without removing the tamper evident cover.



3. To remove the cover, start by disengaging the pull tab at the top of the cover.



4. Continue to pull the tab in a downward direction, this will disengage the pips.



5. Once the end of the pips has been reached, the tab and body of the cover can be pulled away from the clamp.



6. A small tamper evident section will remain in the clamp (removable if required) and the clamp can now be opened.



Note: The cover can be applied both pre and post closure of the clamp.

ORDER INFORMATION

Q-Clamp Product Codes	
Description	Partcode
Q-CLAMP, 1/2" - 3/4", 10 PCS/PK	1032-0075-0010
Q-CLAMP, 1/2" - 3/4", 100 PCS/PK	1032-0075-0100
Q-CLAMP, 1" - 1 1/2", 10 PCS/PK	1032-0150-0010
Q-CLAMP, 1" - 1 1/2", 50 PCS/PK	1032-0150-0050
Q-CLAMP TAMPER EVIDENT COVER, CLEAR, 100 PCS/PK	1033-0001-0100
Q-CLAMP TAMPER EVIDENT COVER, BLUE, 100 PCS/PK	1033-0002-0100
Q-CLAMP TAMPER EVIDENT COVER, GREY, 100 PCS/PK	1033-0003-0100
Q-CLAMP TAMPER EVIDENT COVER, ORANGE, 100 PCS/PK	1033-0004-0100
Q-CLAMP TAMPER EVIDENT COVER, YELLOW, 100 PCS/PK	1033-0005-0100
Q-CLAMP TAMPER EVIDENT COVER, RED, 100 PCS/PK	1033-0006-0100
Q-CLAMP TAMPER EVIDENT COVER, GREEN, 100 PCS/PK	1033-0007-0100
Q-CLAMP TAMPER EVIDENT COVER, PURPLE, 100 PCS/PK	1033-0008-0100

The information contained in this document is believed to be correct but BioPure Technology Limited accepts no liability for any errors it contains and reserves the right to alter specifications without notice. Tri-Clamp is a registered trademark of Alfa Laval Corporate AB. Q-Clamp is used under licence.



wmftg.com
info@wmftg.com
+44 (0) 2392 499000